

# Water-Proof Thermoplastic Housed Units **LDK**<sup>®</sup>

Accessories: End-Covers, Back seal



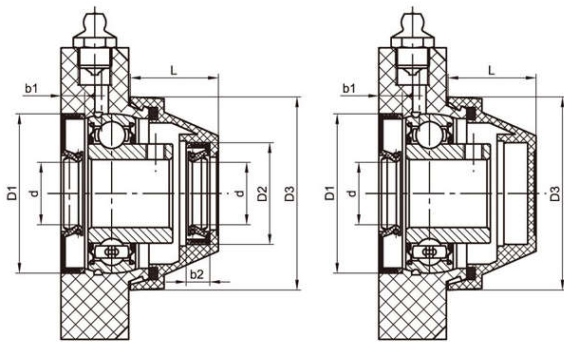
WP-BS



WP-CC

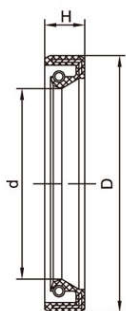


WP-OC



## Water-Proof Plastic Covers: Open/Close Type (OC / CC)

| Shaft diameter |                           | Dimensions(mm) |                |                |                |                |    |
|----------------|---------------------------|----------------|----------------|----------------|----------------|----------------|----|
| D              |                           | D <sub>1</sub> | b <sub>1</sub> | D <sub>2</sub> | b <sub>2</sub> | D <sub>3</sub> | L  |
| mm             | inch                      |                |                |                |                |                |    |
| 20             | 3/4                       | 47             | 7              | 30             | 7              | 56.7           | 26 |
| 25             | 13/16 14/16 15/16 1       | 52             | 7              | 35             | 7              | 67.7           | 28 |
| 30             | 1-1/16 1-1/8 1-3/16 1-1/4 | 62             | 7              | 40             | 7              | 78.7           | 29 |
| 35             | 1-1/4 1-5/16 1-3/8 1-7/16 | 72             | 7              | 45             | 7              | 88.7           | 33 |
| 40             | 1-1/2 1-9/16              | 80             | 7              | 50             | 7              | 96.7           | 35 |



## BACK SEAL

| SIZE    | DIM |    |   |
|---------|-----|----|---|
|         | D   | d  | H |
| WP-P204 | 20  | 47 | 7 |
| WP-P205 | 25  | 52 | 7 |
| WP-P206 | 30  | 62 | 7 |
| WP-P207 | 35  | 72 | 7 |
| WP-P208 | 40  | 80 | 7 |

Notes: Anti-Bacteria Protection Series is available by adding prefix "AB" as designation. Ordering example: ABWP-OC205