

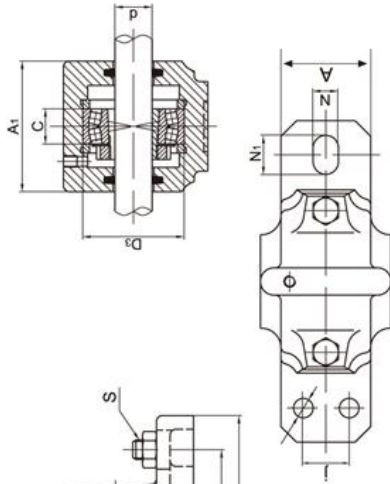
Housing No.	Shaft		Dimensions (mm)														Wt Kg	Bearing No		Adapter	Sleeve	Locating Ring			
	mm	in	D Ha	L	A	H ₁	g	H	C	H ₀	J	S	N	N ₁	d ₂	d ₃		f ₁	f ₂			Number	QTY		
SN505	20	3/4	52	165	46	22	25	40	67	75	130	M12	15	20	21.5	31	3	4.2	1.55	1205K 2205K	22205K	H205 H305	HE205 HE305	SR52X5 SR52X7	2 1
SN506	25	1	62	185	52	22	30	50	77	90	150	M12	15	20	26.5	38	4	5.4	1.95	1206K 2206K	22206K	H206 H306	HE206 HE306	SR62X7 SR62X10	2 1
SN507	30	1 1/4	72	185	52	22	33	50	82	95	150	M12	15	20	31.5	43	4	5.4	2.15	1207K 2207K	22207K	H207 H307	HE207 HE307	SR72X8 SR72X10	2 1
SN508	35	1 1/4	80	205	60	25	33	60	85	110	170	M12	15	20	36.5	48	4	5.4	3.2	1208K 2208K	22208K	H208 H308	HE208 HE308	SR80X7.5 SR80X10	2 1
SN509	40	1 1/2	85	205	60	25	31	60	85	112	170	M12	15	20	41.5	53	4	5.4	3.45	1209K 2209K	22209K	H209 H309	HE209 HE309	SR85X6 SR85X8	2 2
SN510	45	1 3/4	90	205	60	25	33	60	90	115	170	M12	15	20	46.5	58	4	5.4	3.6	1210K 2210K	22210K	H210 H310	HE210 HE310	SR90X6.5 SR90X10	2 1
SN511	50	2	100	255	70	28	33	70	95	130	210	M16	18	23	51.5	67	5	6.9	5.19	1211K 2211K	22211K	H211 H311	HE211 HE311	SR100X6 SR100X8	2 1
SN512	55	2 1/8	110	255	70	30	38	70	105	135	210	M16	18	23	56.5	72	5	6.9	5.39	1212K 2212K	22212K	H212 H312	HE212 HE312	SR110X8 SR110X10	2 1
SN513	60	2 1/4	120	275	80	30	43	80	110	150	230	M16	18	23	62	77	5	6.8	7.1	1213K 2213K	22213K	H213 H313	HE213 HE313	SR120X10 SR120X12	2 1
SN515	65	2 1/2	130	280	80	30	41	80	115	155	230	M16	18	23	67	82	5	6.8	7.4	1215K 2215K	22215K	H215 H315	HE215 HE315	SR130X8 SR130X10	2 1
SN516	70	2 3/4	140	315	90	32	43	95	120	175	260	M20	22	27	72	89	6	8.1	9.5	1216K 2216K	22216K	H216 H316	HE216 HE316	SR140X8.5 SR140X10	2 1
SN517	75	3	150	320	90	32	46	95	125	185	260	M20	22	27	77	94	6	8.1	10.5	1217K 2217K	22217K	H217 H317	HE217 HE317	SR150X9 SR150X10	2 1
SN518	80	3 1/4	160	345	100	35	62.4	100	145	195	290	M20	22	27	82	99	6	8.1	13.4	1218K 2218K	22218K	H218 H318	HE218 HE318	SR160X11.2 SR160X11.2 SR160X10	2 1 1
SN519	85	—	170	345	100	35	53	112	140	210	290	M20	22	27	87	104	6	8.1	15.6	1219K 2219K	22219K	H219 H319	HE219 HE319	SR170X10.5 SR170X10	2 1
SN520	90	3 1/2	180	380	110	40	70.3	112	160	218	320	M24	26	32	92	111	7	9.3	19	2220K	22220K	H220 H320	HE220 HE320	SR180X12.1 SR180X10	2 1
SN522	100	4	200	410	120	45	80	125	175	240	350	M24	26	32	102	125	8	10.8	21.6	2222K	22222K	H222 H322	HE222 HE322	SR200X13.5 SR200X10	2 1
SN524	110	4 1/4	215	410	120	45	86	140	185	270	350	M24	26	32	113	135	8	10.7	29.1	2224K	2224K	H3124 H324	HE3124 HE2324	SR215X14 SR215X10	2 1
SN526	115	4 1/2	230	445	130	50	90	150	190	290	380	M24	28	36	118	140	8	10.7	32	2226K	2226K	H3126 H326	HE3126 HE2326	SR230X13 SR230X10	2 1
SN528	125	5	250	500	150	50	98	150	205	305	420	M30	33	42	128	154	9	12.2	40	2228K	2228K	H3128 H328	HE3128 HE2328	SR250X15 SR250X10	2 1
SN530	135	5 1/4	270	530	160	60	106	160	220	325	450	M30	33	42	138	164	9	12.2	49.3	2230K 2320K	2230K	H3130 H330	HE3130 HE2330	SR270X16.5 SR270X10	2 1
SN532	140	5 1/2	290	550	160	60	114	170	235	345	470	M30	33	42	143	173	10	13.7	56.5	2232K	2322K	H3132 H332	HE3132 HE2332	SR290X17 SR290X10	2 1

Plummer Blocks
 Plummer Blocks SN500



LDK® Plummer Blocks

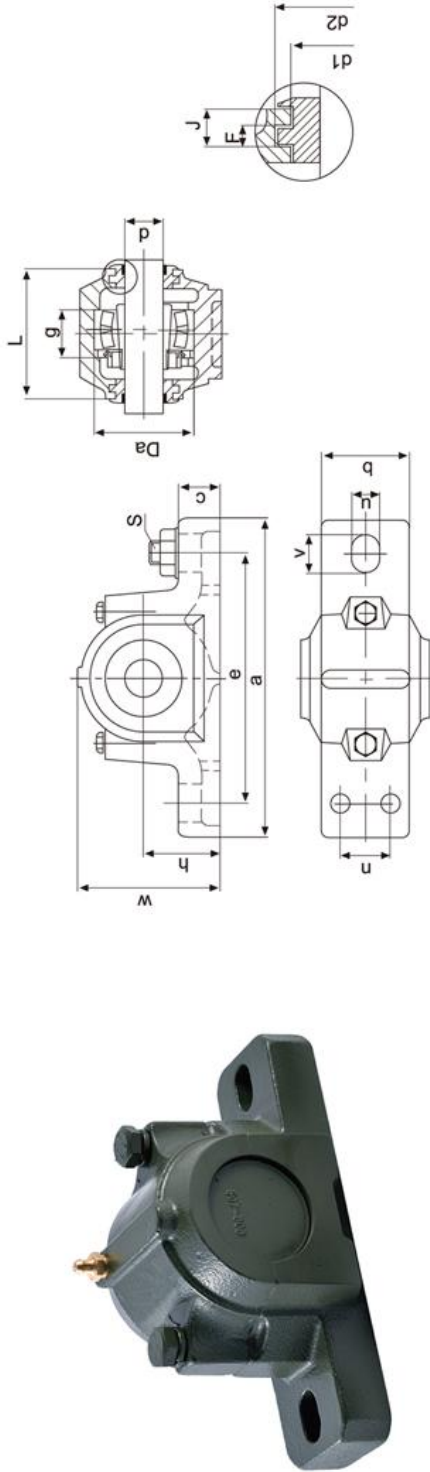
Plummer Blocks SNU500



Nousing No.	Shaft	Dimensions (mm)														Bolt Dia		Wt Kg	Bearing No	Adapter	Spacer Ring	
		H	H ₁₂	L	J	A	N	N ₁	H ₁	H ₀	A ₁	J	C	D ₃	H ₈	(2)	(4)				SIZE	QTY
SNU505	20	40	165	130	46	13	20	19	71	67	25	52	M10	M10	1.9	1205K	H205	52X5	2			
SNU506	25	50	185	150	52	13	22	22	87	72	32	62	M10	M10	2.2	1206K	H206	62X5	2			
SNU507	30	50	185	150	52	13	20	22	92	82	34	72	M10	M10	2.6	1207K 22207K	H207 H307	72X8.5 72X5.5	2			
SNU508	35	60	205	170	60	15	20	25	106	85	39	80	M12	M12	3.2	1208K 22208K	H208 H308	80X10.5 80X8	2			
SNU509	40	60	205	170	60	15	20	25	109	85	30	85	M12	M12	3.6	1209K 22209K	H209 H309	85X5.5 85X7	2			
SNU510	45	60	205	170	60	15	20	25	112	90	41	90	M12	M12	3.9	1210K 22210K	H210 H310	90X10.5 90X9	2			
SNU511	50	70	255	210	70	18	23	28	127	95	44	100	M16	M12	5.2	1211K 22211K	H211 H311	100X11.5 100X9.5	2			
SNU512	55	70	255	210	70	18	23	30	133	105	48	110	M16	M12	6.7	1212K 22212K	H212 H312	110X13 110X10	2			
SNU513	60	80	275	230	80	18	24	30	148	110	51	120	M16	M12	7.9	1213K 22213K	H213 H313	120X14 120X10	2			
SNU515	65	80	280	230	80	18	26	30	154	115	56	130	M16	M12	8.6	1215K 22215K	H215 H315	130X15.5 130X12.5	2			
SNU516	70	95	315	260	90	22	29	32	175	120	58	140	M20	M12	11.0	1216K 22216K	H216 H316	140X16 140X12.5	2			
SNU517	75	95	320	260	90	22	30	32	181	125	61	150	M20	M12	12.0	1217K 22217K	H217 H317	150X16.5 150X12.5	2			
SNU518	80	100	345	290	100	22	27	35	192	140	65	160	M20	M16	15.0	1218K 22218K	H218 H318	160X17.5 160X12.5	2			
SNU519	85	112	345	290	100	22	27	35	209	145	68	170	M20	M16	16.0	1219K 22219K	H219 H319	170X18 170X12.5	2			
SNU520	90	112	380	320	110	26	32	40	215	160	70	180	M24	M16	18.0	1220K 22220K	H220 H320	180X18 180X12	2			
SNU522	100	125	410	350	120	26	32	45	239	175	80	200	M24	M16	28.0	1222K 22222K	H222 H322	200X21 200X13.5	2			
SNU524	110	140	410	350	120	26	32	45	271	185	86	215	M24	M16	36.0	1224K 22224K	H224 H324	215X14 215X10	2			
SNU526	115	150	445	380	130	28	35	50	290	190	90	230	M24	M20	47.0	1226K 22226K	H226 H326	230X13 230X10	2			
SNU528	125	150	500	420	150	35	42	50	302	205	98	250	M30	M24	49.0	1228K 22228K	H228 H328	250X15 250X10	2			
SNU530	135	160	530	450	160	35	42	60	323	220	106	270	M30	M24	57.0	1230K 22230K	H230 H330	270X16.5 270X10	2			
SNU532	140	170	550	470	160	35	42	60	344	235	114	280	M30	M24	64.0	1232K 22232K	H232 H332	290X17 290X10	2			

Plummer Blocks LDK®

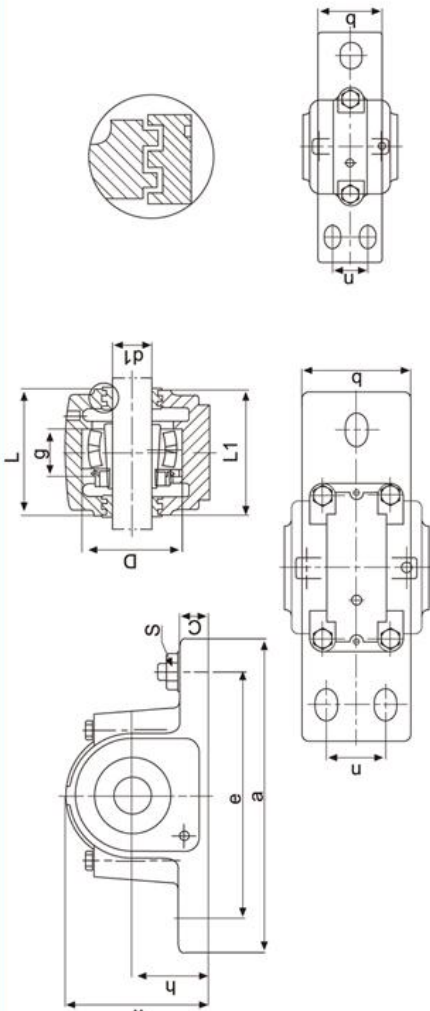
Plummer Blocks SNG500



Housing No.	Shaft dia.	Dimensions (mm)																		Housing Wt. Kg	Bearing No	Adapter Sleeve	Locating Ring	
		H _{H12}	a	e	b	u	v	c	w	L	d ₁ _{H12}	d ₂ _{H12}	n	J	F	g _{H12}	Da _{H8}	S (2)	S (4)				Number	QTY
SNG507-606	30	50	185	150	52	13	20	22	92	82	46.5	54.5	7.5	5	34	72	M10		1207K	H207	SR72x8.5	2		
SNG508-607	35	60	205	170	60	15	20	25	106	85	51.5	59.5	7.5	5	39	80	M12		22207K	H307	SR72x8.5	2		
SNG509	40	60	205	170	60	15	20	25	109	85	56.9	64.9	8.5	5	30	85	M12		1208K	H208	SR80x10.5	2		
SNG510-608	45	60	205	170	60	15	20	25	112	90	62	70.5	8.5	5	41	90	M12		22208K	H308	SR80x10.5	2		
SNG511-609	50	70	255	210	70	18	23	28	127	95	67	75.5	8.5	5	44	100	M16		1209K	H209	SR85x7	1		
SNG512-610	55	70	255	210	70	18	23	30	133	105	72	80.5	8.5	5	48	110	M16	M12	22209K	H309	SR85x7	1		
SNG513-611	60	80	275	230	80	18	24	30	148	110	77	85.5	8.5	5	51	120	M16	M12	1210K	H210	SR90x9	2		
SNG515-612	65	80	280	230	80	18	26	32	154	115	87	95.5	8.5	5	56	130	M16	M12	22210K	H310	SR90x9	2		
SNG516-613	70	95	315	260	90	22	29	32	175	120	92.5	101	10.5	5	58	140	M20	M12	1211K	H211	SR100x11.5	2		
SNG517	75	95	320	260	90	22	30	35	181	125	97.5	106	10.5	5	61	150	M20	M12	22211K	H311	SR100x11.5	2		
SNG518-615	80	100	345	290	100	22	27	35	192	140	102.5	111	10.5	5	65	160	M20	M16	1212K	H212	SR110x13	2		
SNG519-616	85	112	345	290	100	22	27	40	209	145	131	141	11.5	6	68	170	M20	M16	22212K	H312	SR110x13	2		
SNG520-617	90	112	380	320	110	26	32	45	215	160	137.5	147.5	11.5	6	70	180	M24	M16	1213K	H213	SR120x14	2		
SNG522-619	100	125	410	350	120	26	32	45	239	175	147.5	157.5	11.5	6	80	200	M24	M16	22213K	H313	SR120x14	2		
SNG524-620	110	140	410	350	120	26	32	45	271	185	157.5	167.5	11.5	6	86	215	M24	M16	1215K	H215	SR130x15.5	2		
SNG526	115	150	445	380	130	28	35	50	290	190	167.5	177.5	13	6	90	230	M24	M20	22215K	H315	SR130x15.5	2		
SNG528	125	150	500	420	150	35	42	50	302	205	177.5	187.5	13	6	98	250	M30	M24	1216K	H216	SR140x16	2		
SNG530	135	160	530	450	160	35	42	60	323	220	192.5	202.5	13.5	6	106	270	M30	M24	22216K	H316	SR140x16	2		
SNG532	140	170	550	470	160	35	42	60	344	235	202.5	212.5	13.5	6	114	290	M30	M24	1217K	H217	SR150x17.5	2		
																				22217K	H317	SR150x17.5	2	
																					1218K	H218	SR160x17.5	2
																					22218K	H318	SR160x17.5	2
																					23218K	H2318	SR160x12.5	1
																					1219K	H219	SR170x18	2
																					22219K	H319	SR170x18	2
																					1220K	H220	SR180x18	2
																					22220K	H320	SR180x18	2
																					23220K	H2320	SR180x12	2
																					1222K	H222	SR180x9.7	1
																					22222K	H322	SR200x13.5	2
																					23222K	H2322	SR200x10.2	1
																					22224K	H3124	SR215x14	2
																					23224K	H2324	SR215x10	1
																					22226K	H3126	SR230x13	2
																					23226K	H2326	SR230x10	1
																					22228K	H3128	SR250x15	2
																					23228K	H2328	SR250x10	1
																					22230K	H3130	SR270x16.5	2
																					23230K	H2330	SR270x10	1
																					22232K	H3132	SR290x17	2
																					23232K	H2332	SR290x10	1

LDK[®] Plummer Blocks

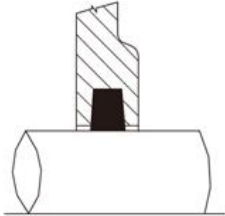
Plummer Blocks SAF500



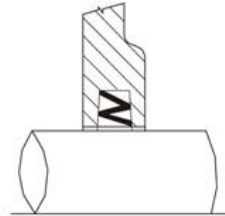
Housing No.	Shaft dia.	Dimensions (mm)										Housing		Bearing No	Adapter Sleeve	Locating Ring			
		D	g	h	w	L	L1	a	b	c	e	e	n			S	Wt	kg	Number
SAF505	3/4	52	25	38.1	75	70	73	165	45	18	139.7	118	M12		1.8	1205K	HA205	FR52x5	2
SAF506	15/16	62	30	44.5	86	78	83	191	51	18	155	133	M12		2.2	1206K	HA305	FR52x7	2
SAF507	1-3/16	72	33	50.8	97	81	83	191	51	21	156	143	M12		2.7	1207K	HA306	FR62x10	2
SAF509	1-7/16	85	31	57.2	111	87	92	210	61	21	178	159	M12		3.9	1209K	HA307	FR72x10	2
SAF510	1-11/16	90	33	63.5	121	87	99	210	61	24	178	165	M12		4.3	1210K	HA309	FR85x8	2
SAF511	1-15/16	100	33	69.9	133	95	114	245	70	24	200	188	M16		5	1211K	HA309	FR90x6.5	2
SAF513	2-3/16	120	41	76.2	151	108	114	279	80	25	241	206	M16	M12	7.7	1213K	HA310	FR90x10	2
FSAF513	2-3/16	120	41	76.2	151	108	114	279	80	25	241	206	M16	M12	7.7	1213K	HA310	FR90x10	2
SAF515	2-7/16	130	41	82.6	162	118	121	286	80	29	245	219	M16	M12	8.7	1215K	HA311	FR100x8	2
FSAF515	2-7/16	130	41	82.6	162	118	121	286	80	29	245	219	M16	M12	8.7	1215K	HA311	FR100x8	2
SAF516	2-11/16	140	43	88.9	175	121	124	330	89	30	279	245	M20	M16	11.6	1216K	HA312	FR120x10	2
FSAF516	2-11/16	140	43	88.9	175	121	124	330	89	30	279	245	M20	M16	11.6	1216K	HA312	FR120x10	2
SAF517	2-15/16	150	46	95.3	186	122	127	330	89	32	279	251	M20	M16	12.3	1217K	HA313	FR130x10	2
FSAF517	2-15/16	150	46	95.3	186	122	127	330	89	32	279	251	M20	M16	12.3	1217K	HA313	FR130x10	2
SAF518	3-3/16	160	50	101.6	197	140	146	349	99	33	295	264	M20	M16	15.4	1218K	HA314	FR140x8.5	2
FSAF518	3-3/16	160	50	101.6	197	140	146	349	99	33	295	264	M20	M16	15.4	1218K	HA314	FR140x8.5	2
SAF520	3-7/16	180	58	114.3	222	148	152	387	111	45	333	295	M24	M20	27.3	1220K	HA315	FR140x10	2
FSAF520	3-7/16	180	58	114.3	222	148	152	387	111	45	333	295	M24	M20	27.3	1220K	HA315	FR140x10	2
SAF522	3-15/16	200	63	125.4	245	164	165	419	121	51	368	321	M20	M20	35	1222K	HA316	FR150x9	2
FSAF522	3-15/16	200	63	125.4	245	164	165	419	121	51	368	321	M20	M20	35	1222K	HA316	FR150x9	2
SAF524	4-3/16	215	68	133.4	260	181	188	419	121	54	368	337	M20	M20	43.2	1224K	HA317	FR160x10	2
FSAF524	4-3/16	215	68	133.4	260	181	188	419	121	54	368	337	M20	M20	43.2	1224K	HA317	FR160x10	2
SAF526	4-7/16	230	74	152.4	292	197	203	467	130	61	406	372	M24	M24	58.6	1226K	HA318	FR160x10	2
FSAF526	4-7/16	230	74	152.4	292	197	203	467	130	61	406	372	M24	M24	58.6	1226K	HA318	FR160x10	2
SAF528	5-1/16	250	78	160.4	318	207	213	540	159	64	464	432	M24	M24	76.8	1228K	HA319	FR180x11	2
FSAF528	5-1/16	250	78	160.4	318	207	213	540	159	64	464	432	M24	M24	76.8	1228K	HA319	FR180x11	2
SAF530	5-3/16	270	83	169.9	348	216	222	589	169	67	489	442	M24	M24	104.5	1230K	HA320	FR180x10	2
FSAF530	5-3/16	270	83	169.9	348	216	222	589	169	67	489	442	M24	M24	104.5	1230K	HA320	FR180x10	2
SAF532	5-7/16	290	90	179.4	380	235	245	630	172	70	530	492	M30	M24	117.6	1232K	HA321	FR200x12.5	2
FSAF532	5-7/16	290	90	179.4	380	235	245	630	172	70	530	492	M30	M24	117.6	1232K	HA321	FR200x12.5	2
SAF534	5-15/16	310	96	190.5	419	245	254	680	181	76	600	549	M30	M30	135	1234K	HA322	FR200x10	2
FSAF534	5-15/16	310	96	190.5	419	245	254	680	181	76	600	549	M30	M30	135	1234K	HA322	FR200x10	2
SAF536	6-1/16	340	102	200	458	267	273	711	191	80	619	549	M30	M30	161.5	1236K	HA323	FR240x10	2
FSAF536	6-1/16	340	102	200	458	267	273	711	191	80	619	549	M30	M30	161.5	1236K	HA323	FR240x10	2
SAF538	6-3/16	360	108	209.6	473	279	286	749	203	86	635	572	M30	M30	161.5	1238K	HA324	FR240x10	2
FSAF538	6-3/16	360	108	209.6	473	279	286	749	203	86	635	572	M30	M30	161.5	1238K	HA324	FR240x10	2
SAF540	7-1/16	400	118	241.3	473	298	305	832	222	95	708	629	M30	M30	230.2	1240K	HA325	FR240x10	2
FSAF540	7-1/16	400	118	241.3	473	298	305	832	222	95	708	629	M30	M30	230.2	1240K	HA325	FR240x10	2

Plummer Blocks **LDK**[®]

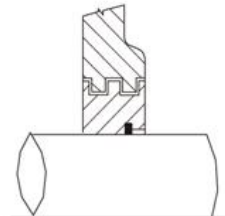
Sealing options



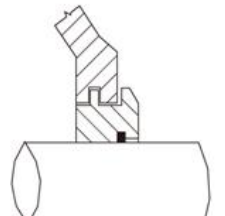
FELT SEALING



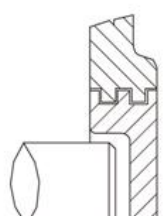
ZF SEALING



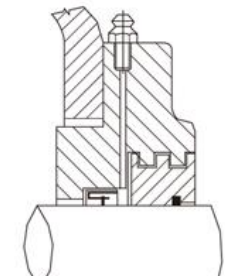
TS SEALING



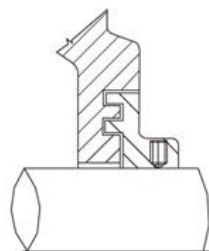
TSU SEALING



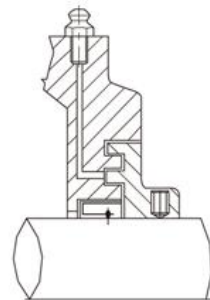
TSA SEALING



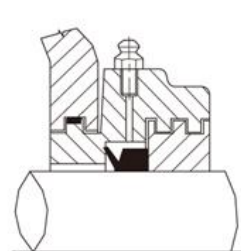
TAC TACONITE SEALING



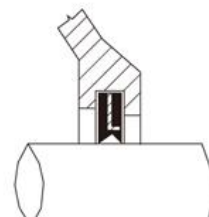
LS SEALING



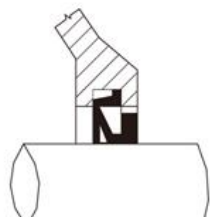
LS TACONITE SEALING



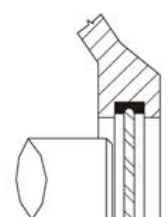
TST TACONITE SEALING



U-LOCK SEALING



TA SEALING



ASNA END PLATE